

2J0104 EU (DATASHEET)

Type
Frequencies

Dual band antenna
GSM (900 MHz)
DCS (1800 MHz)

Mounting
Revision

Telematics Mount
00



P. Tipul

1. PRODUCT SELECTOR

2J0104-C109N-EU	SMA male R/A connector
2J0104-C20N-EU	SMA male connector
2J0104-C257N-EU	FME female connector
2J0104-C131N-EU	FME female R/A connector

2. SPECIFICATION

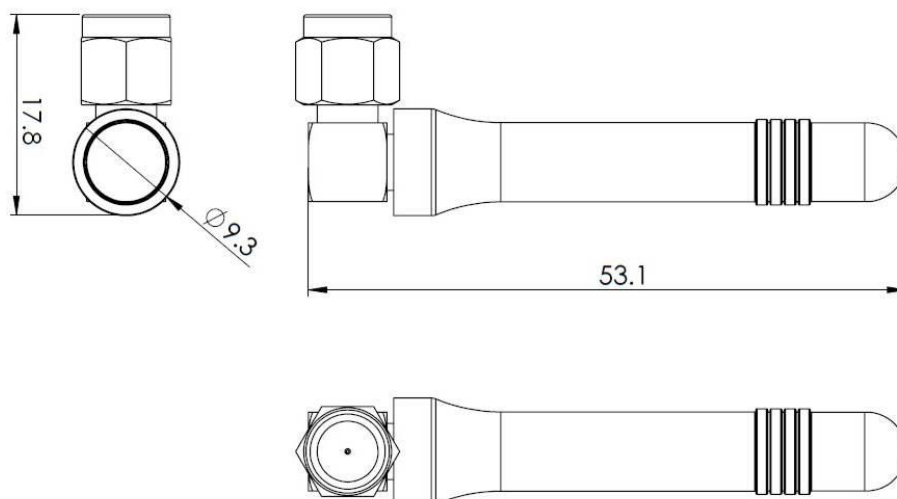
2.1. Electrical Specifications

Frequencies	GSM (900 MHz) DCS (1800 MHz)
Impedance	50 Ohms
Polarization	Vertical
Gain	2.2 dBi Max
VSWR	<2.5:1
Power handling	25W
Operating temperature	-40°C to +85°C

2.2. Mechanical Specifications and Dimensions

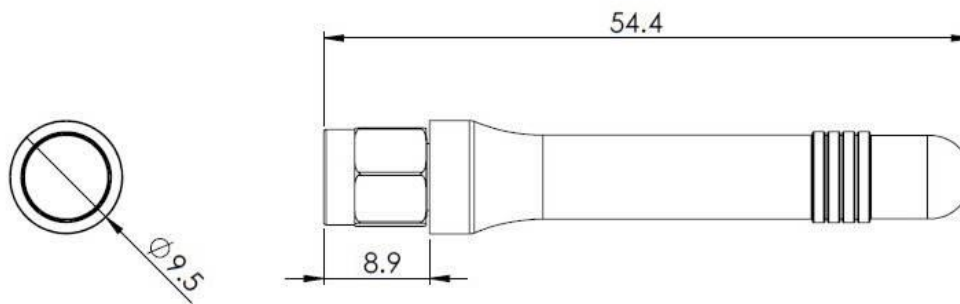
2.2.1. 2J0104-C109N

Connector:	SMA male R/A
Material:	TPE
Max. dimensions:	9.3mm x 53.1mm x 17.8mm (D x H x L)
Weight:	7.6 g
Colour:	Black (for different colours please ask our sales team)



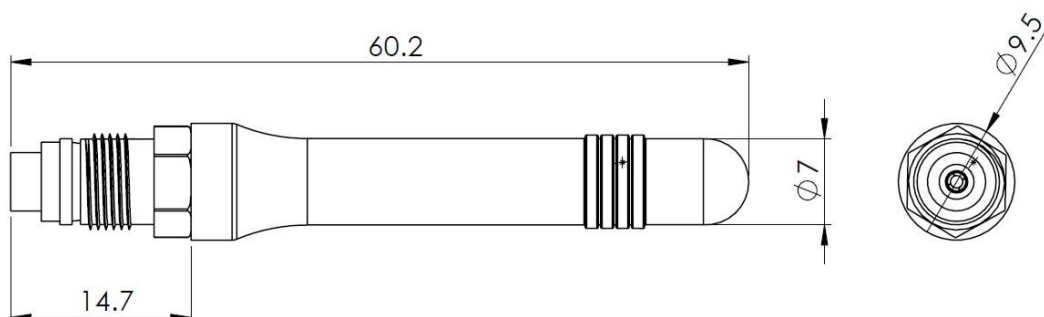
2.2.2. 2J0104-C20N

Connector:	SMA male
Material:	TPE
Max. dimensions:	9.5mm x 54.4mm (D x H)
Weight:	7.2 g
Colour:	Black (for different colours please ask our sales team)



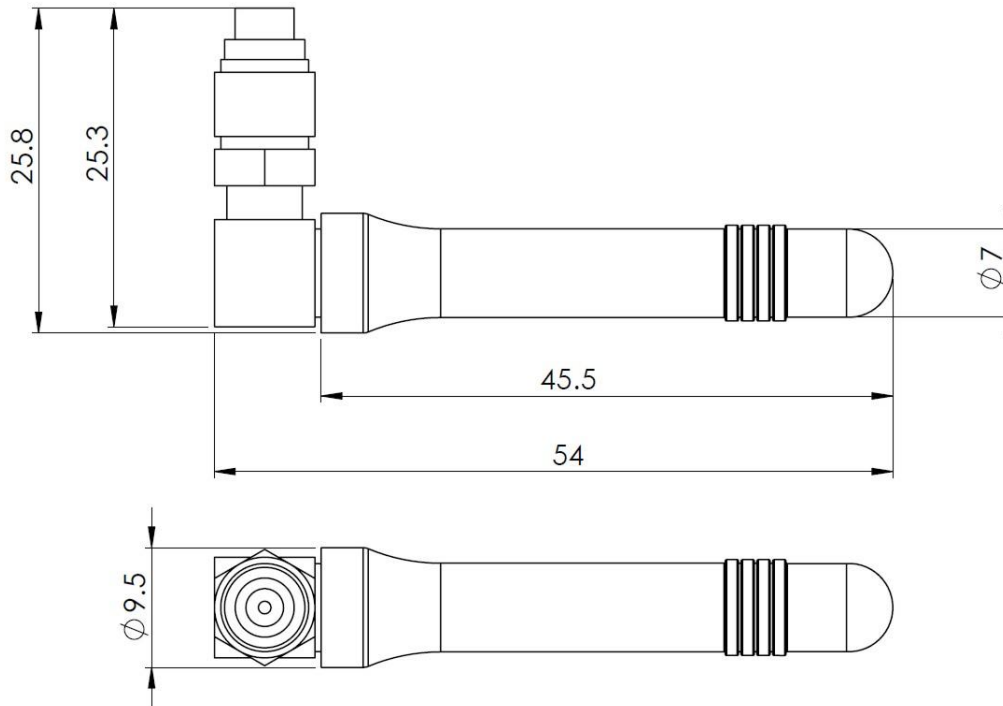
2.2.3. 2J0104-C257N

Connector:	FME female
Material:	TPE
Max. dimensions:	9.5mm x 60.2mm (D x H)
Weight:	7.3 g
Colour:	Black (for different colours please ask our sales team)



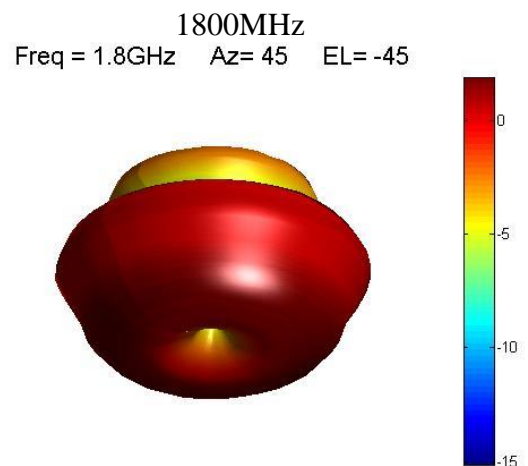
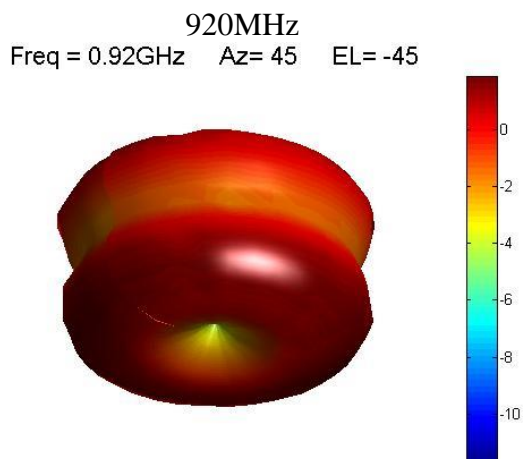
2.2.4. 2J0104-C131N

- | | | |
|----|------------------|---------------------------------------------------------|
| 3. | Connector: | FME female R/A |
| | Material: | TPE |
| | Max. dimensions: | 9.5mm x 54mm x 25.8mm (D x H x L) |
| | Weight: | 7.6 g |
| | Colour: | Black (for different colours please ask our sales team) |



4. MEASUREMENT

Antenna gain:



S11:

Log Mag

VSWR

