

DATASHEET

Type	Multiband Antenna
Frequencies	TETRA (380 - 500 MHz) AMPS (824-894 MHz) ISM (868 MHz) GSM (900 MHz) DCS (1800 MHz) PCS (1900 MHz) 3G (UMTS 2.1 GHz) WIFI / BLUETOOTH (2.4 GHz)
Mounting	Any Surface Glass Mount Patch Mount
Part No.	2J500L
Revision	00





Contents

1. SPECIFICATION.....	2
1.1. Electrical Specifications	2
1.2. Connection Specifications	2
1.2.1. Default (recommended)	2
1.2.2. Optional	2
1.3. Mechanical Specifications and Dimensions	3
2. MEASUREMENT.....	3
2.1. Set for Measurements	3
2.2. Electrical Characteristics	4
2.2.1. Tetra.....	4
2.2.2. Quad Band + WiFi.....	4
3. PLACEMENT RECOMMENDATIONS.....	4
4. IMAGES	5

1. SPECIFICATION

1.1. Electrical Specifications

Frequencies	TETRA (380 - 500 MHz) AMPS (824-894 MHz) ISM (868 MHz) GSM (900 MHz) DCS (1800 MHz) PCS (1900 MHz) 3G (UMTS 2.1 GHz) WIFI / BLUETOOTH (2.4 GHz)
Impedance	50 Ohms
Polarization	Linear
Gain	2.2dBi
VSWR	<2:1
Power handling	25W
Operating temperature	-40°C to +85°C

1.2. Connection Specifications

1.2.1. Default (recommended)

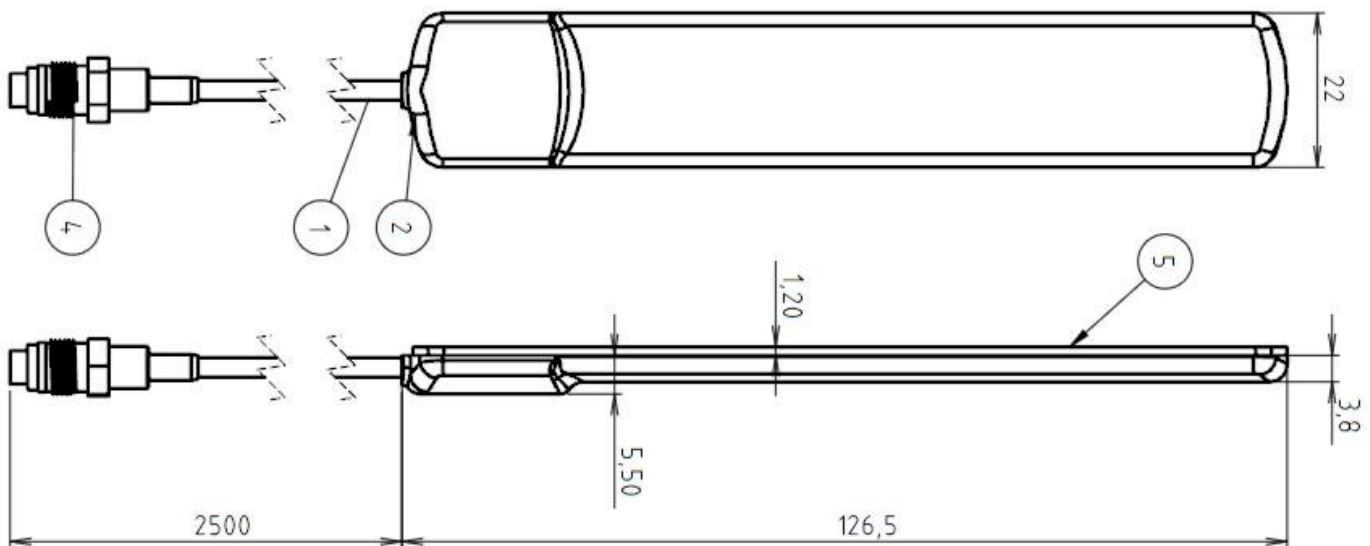
Connector type: FME female
 Cable: RG174U
 Cable length: 250cm

1.2.2. Optional

Suitable cables: RG174, RG316
 Cable length: min. 80 cm
 Suitable connectors: All connectors suitable for cables above

1.3. Mechanical Specifications and Dimensions

Material:
 Dimensions: 7mm x 126.5mm x 22.5mm (H x L x W)
 Weight: 55 g ‘counted with default connection’
 Color: Black (for different colours please ask our sales team)

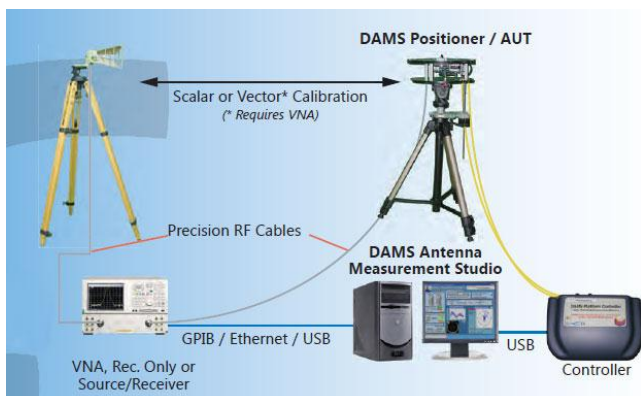


2. MEASUREMENT

2.1. Set for Measurements

Connection: Used default cable length and connection.
 Temperature: 25 °C
 Input power: 0 dBm

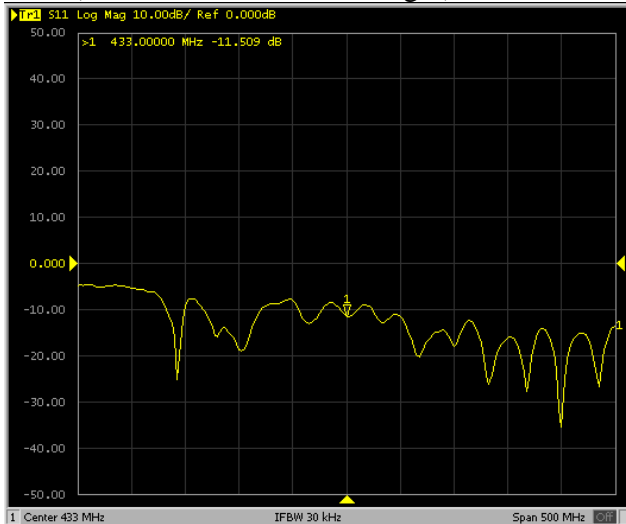
DAMS positioner with AUT and reference antenna are placed in anechoic chamber



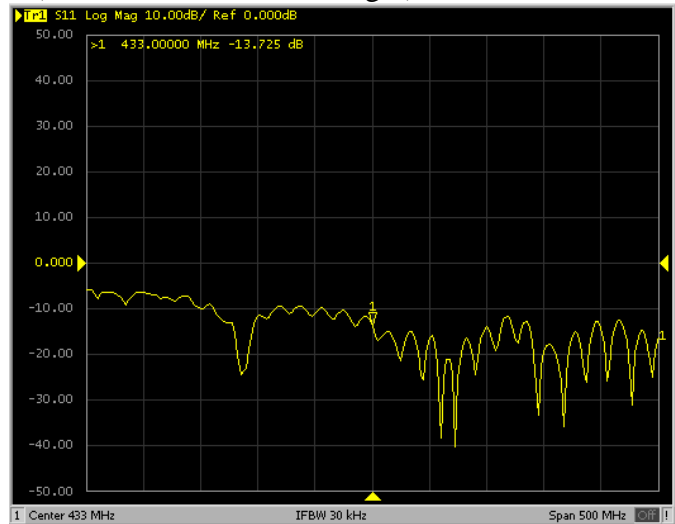
2.2. Electrical Characteristics

2.2.1. Tetra

S11: (Tested with 3m cable length)

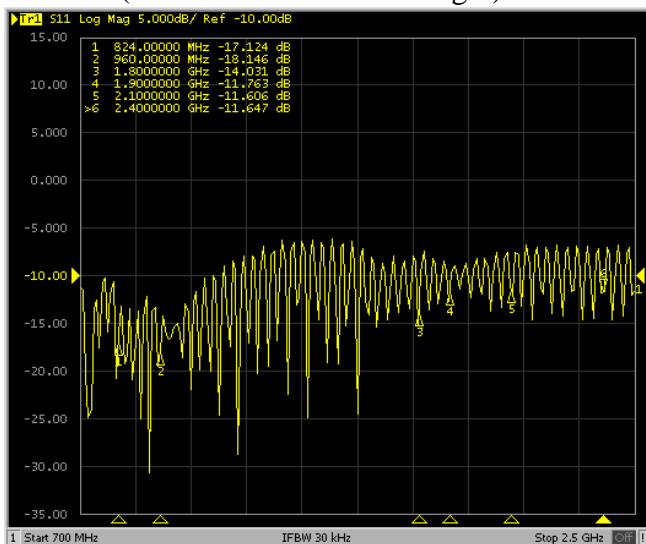


(Tested with 5m cable length)

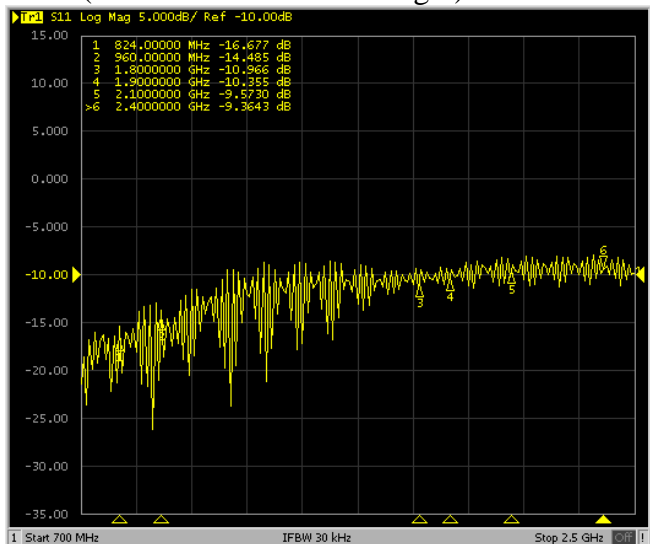


2.2.2. Quad Band + WiFi

S11: (Tested with 3m cable length)



(Tested with 5m cable length)



3. PLACEMENT RECOMMENDATIONS

- Clean flat surfaces
- Tuned for working on glass
- Don't cover with any materials

4. IMAGES

